

# PRODUCT INFORMATION PACKET



Model No: P145K17FK10E

Catalog No: 121465.00

2HP..1740RPM.145.TEFC./V.1PH.60HZ.CONT.MANUAL.40C.1.0SF.RIGID C.GENERAL  
PURPOSE.P145K17FK10E

Totally Enclosed Fan Cooled (TEFC)



Regal and Leeson are trademarks of Regal Beloit Corporation or one of its affiliated companies.

©2018 Regal Beloit Corporation, All Rights Reserved. MC017097E





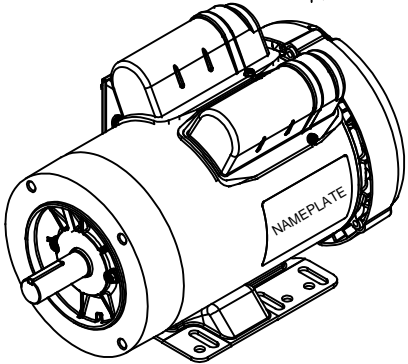
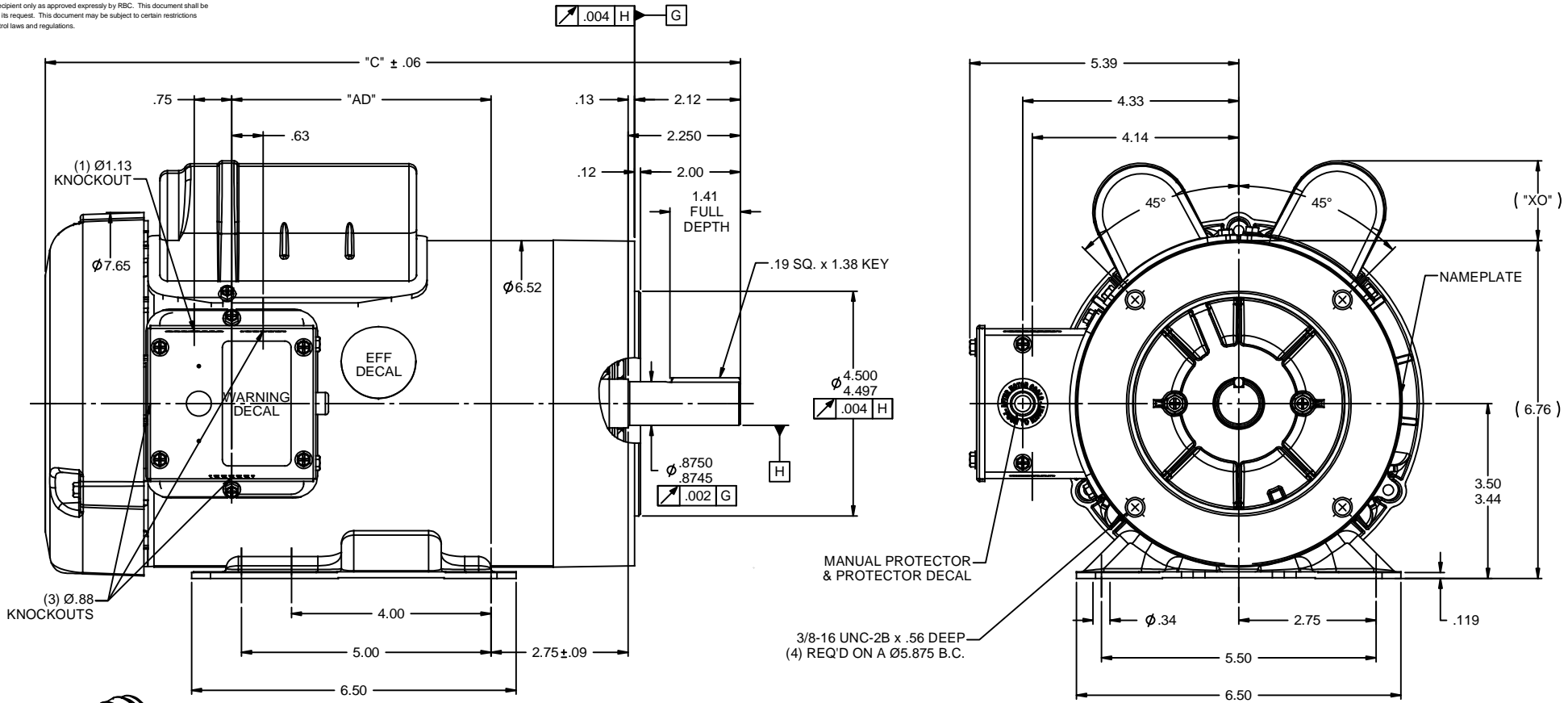
### Nameplate Specifications

Output HP	<b>2 Hp</b>	Output KW	<b>1.5 kW</b>
Frequency	<b>60 Hz</b>	Voltage	<b>115/208-230 V</b>
Current	<b>18.4/9.2 A</b>	Speed	<b>1740 rpm</b>
Service Factor	<b>1</b>	Phase	<b>1</b>
Efficiency	<b>82 %</b>	Duty	<b>Continuous</b>
Insulation Class	<b>B</b>	Design Code	<b>L</b>
KVA Code	<b>H</b>	Frame	<b>145TC</b>
Enclosure	<b>Totally Enclosed Fan Cooled</b>	Overload Protector	<b>Manual</b>
Ambient Temperature	<b>40 °C</b>	Drive End Bearing Size	<b>6205</b>
Opp Drive End Bearing Size	<b>6203</b>	UL	<b>Recognized ( Not Protector)</b>
CSA	<b>Y</b>	CE	<b>N</b>
IP Code	<b>43</b>		

### Technical Specifications

Electrical Type	<b>Capacitor Start Capacitor Run</b>	Starting Method	<b>Across The Line</b>
Poles	<b>4</b>	Rotation	<b>Selective Counterclockwise</b>
Mounting	<b>Rigid base</b>	Motor Orientation	<b>HORIZONTAL</b>
Drive End Bearing	<b>BALL</b>	Opp Drive End Bearing	<b>BALL</b>
Frame Material	<b>Rolled Steel</b>	Shaft Type	<b>T</b>
Overall Length	<b>13.93 in</b>	Frame Length	<b>8.00 in</b>
Shaft Diameter	<b>0.875 in</b>	Shaft Extension	<b>2.25 in</b>
Assembly/Box Mounting	<b>F1 ONLY</b>		
Outline Drawing	<b>028905-800B</b>	Connection Diagram	<b>005053.02</b>

RBC PROPRIETARY AND CONFIDENTIAL INFORMATION  
 This document is the property of REGAL BELOIT CORPORATION ("RBC") including its subsidiaries and divisions and contains proprietary information of RBC. This document is loaned on the express condition that neither it nor the information contained therein shall be disclosed to others without the express written consent of RBC, and that the information shall be used by the recipient only as approved expressly by RBC. This document shall be returned to RBC upon its request. This document may be subject to certain restrictions under U.S. export control laws and regulations.



DASH NO.	"C"	"AD"	CAP DASH	"XO"
700	12.93	4.19	A	1.15
750	13.43	4.69	B	1.60
800	13.93	5.19	C	1.60
850	14.43	5.69	C	1.82

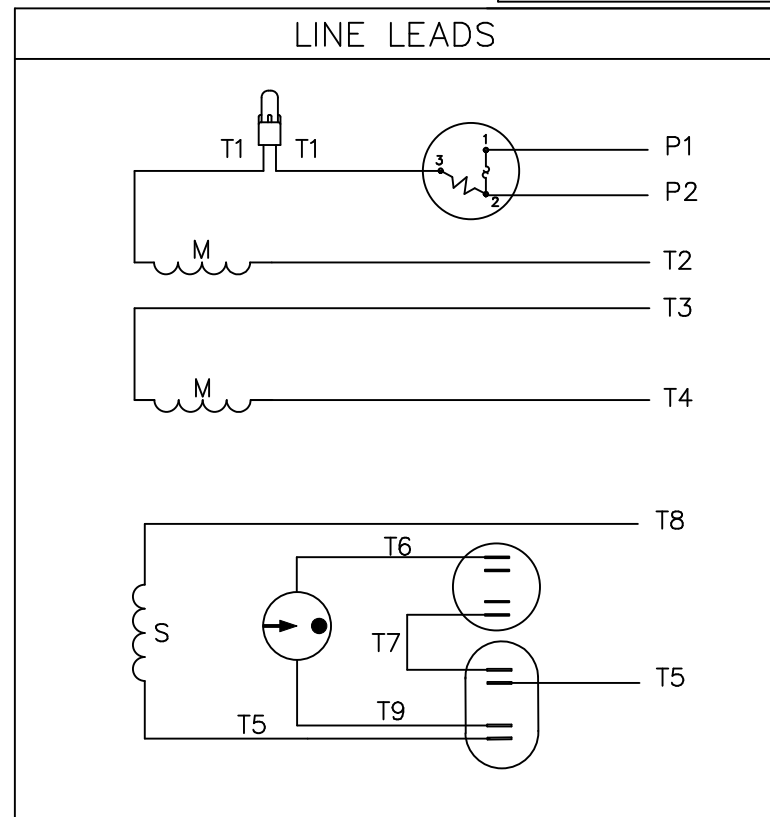
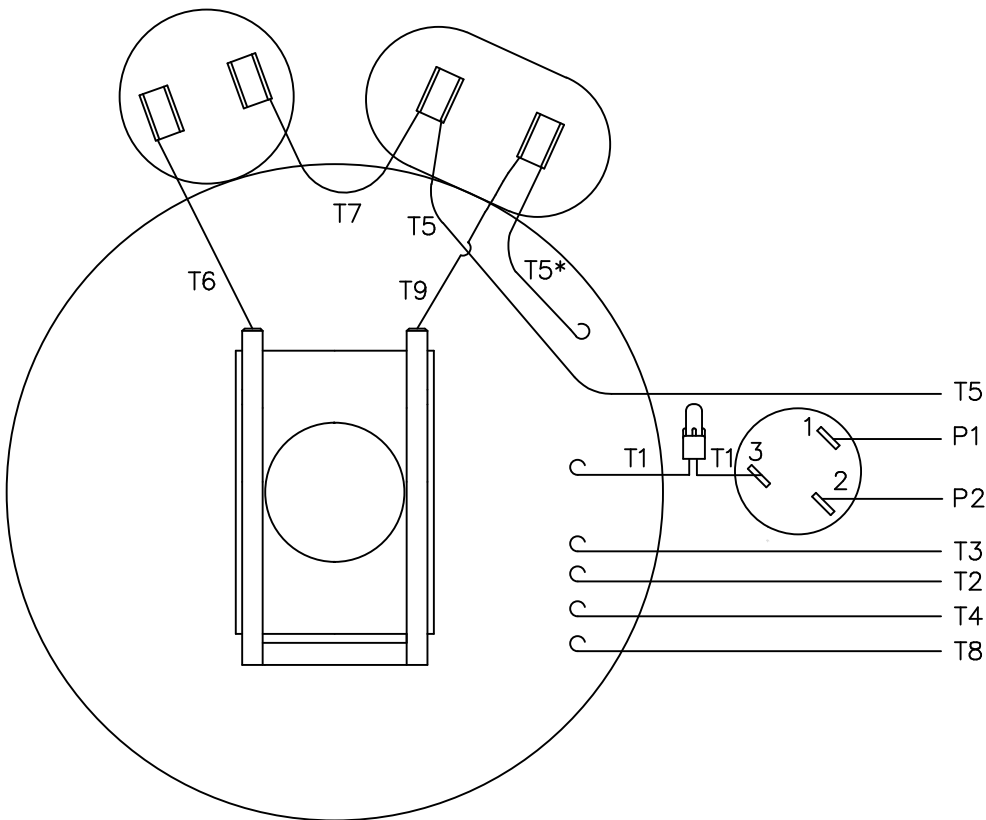
NOTE:  
1) GASKETS THROUGHOUT

REVISION		BY & DATE	CHK ANG ±1/2°	FINISH	PAGE OF	
THIRD ANGLE PROJECTION		RFP 11/24/08	PREV		SIZE B	DRAWING NO 028905
TOLERANCES UNLESS SPECIFIED:			DRAWN GRB 11/24/08			
DEC INCHES			CHK DJ 11/24/08			
X ±.1			APPR DJ 11/24/08			
.XX ±.03			TITLE OUTLINE - 145TC FRAME			
.XXX ±.005			REF OL121465			
.XXXX ±.0005			MATL			
NO			FMF 121465.00			
NETWORK FILE NAME			REV			



**ELECTRIC MOTORS  
GEARMOTORS  
AND DRIVES**

VIEW FROM OUTSIDE OF MOTOR AT SWITCH END.



	ROTATION FACING LEAD END	L1	L2	JOIN	INSULATE SEPARATELY
HIGH VOLT	C.C.W.	P1	T4 T5	T2,T3 T8	P2
	C.W.	P1	T4 T8	T2,T3 T5	P2
LOW VOLT	C.C.W.	P1	T2,T4 T5	P2,T3 T8	-----
	C.W.	P1	T2,T4 T8	P2,T3 T5	-----

\* THIS LEAD MAY BE WHITE

		TOLERANCES UNLESS SPECIFIED	
		DEC.	INCHES
		.X	±.1
		.XX	±.01
04	ADDED "*" TO T5	RLW 7/22/02	.XXX ±.005
03	REDRAWN ON CAD	DBT 05/27/97	.XXXX ±.0005
NO.	REVISION	BY & DATE	CHK ANG ±1/2"

**REGAL-BELOIT Motor Technologies Group**

DRAWN ADH 06/16/76  
 CHK WRK 06/30/76  
 APPD  
 SCALE 1=1  
 REF  
 FMF 6K17FB8A  
 PREV

TITLE EXTERNAL WIRING DIAGRAM  
 TYPE "K" W/PROTECTOR

MAT'L. DECAL 004011

FINISH

RFP CAD FILE 00505302 SIZE A DRAWING NO. 005053-02 REV. 04  
 DIST

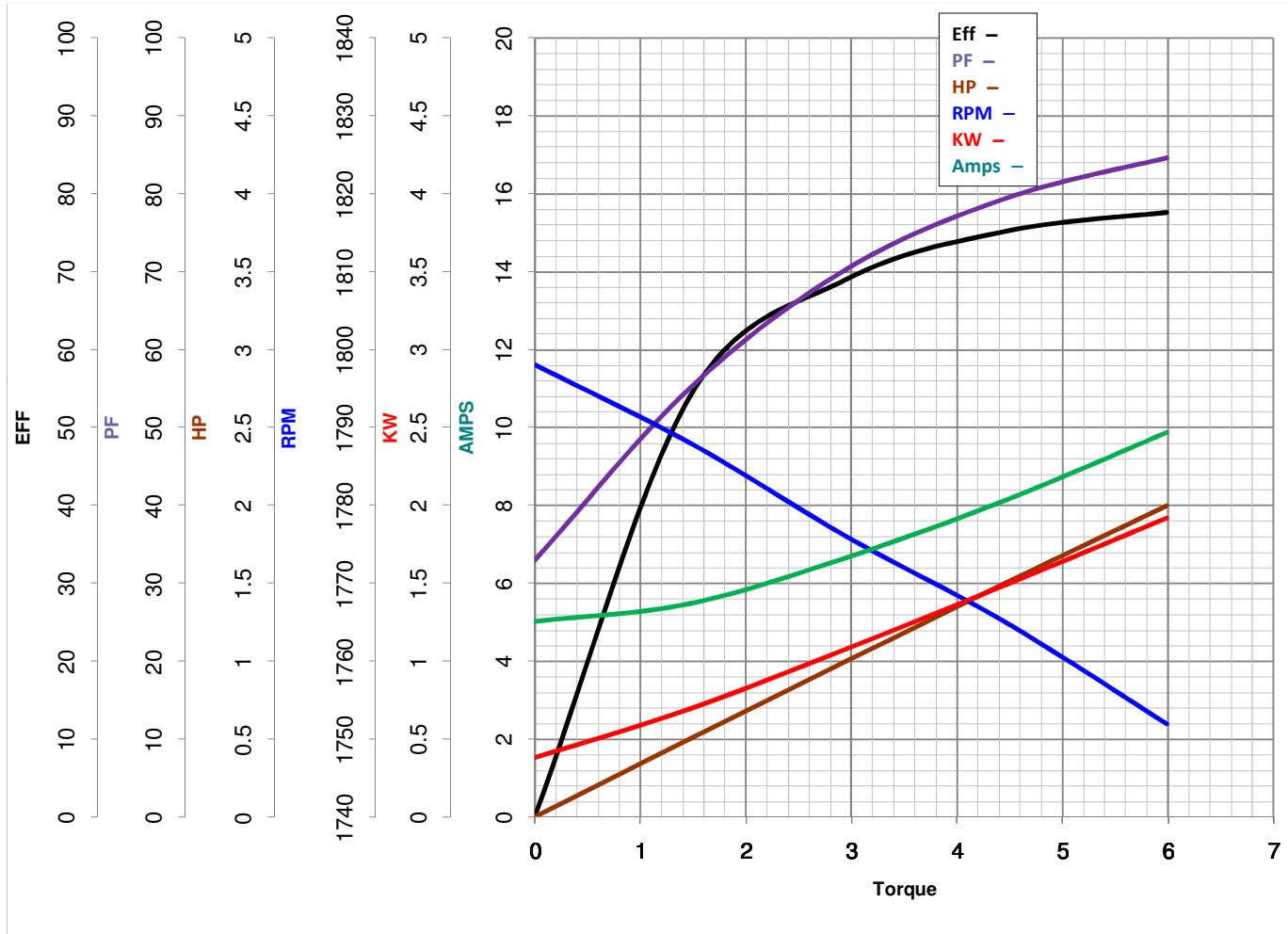


**LEESON ELECTRIC CORPORATION**  
 TYPICAL PERFORMANCE CURVE for AC MOTOR

Curve at 230 Volts      HP 2.00      PHASE 1  
60 HZ  
2 HP      VOLTS 115/208-230  
 HZ 60      RPM 1740

Model No 121465.00

Catalog No 121465.00



Torque in Lb.Ft

FL TORQUE 5.99 Lb.Ft  
 BD TORQUE 15.4 Lb.Ft  
 LR TORQUE 16.2 Lb.Ft

FL AMPS 18.4/9.2  
 PU TORQUE 8.9 Lb.Ft  
 LR AMPS 66.5

WINDING K634271-3

Date 4/23/2018